

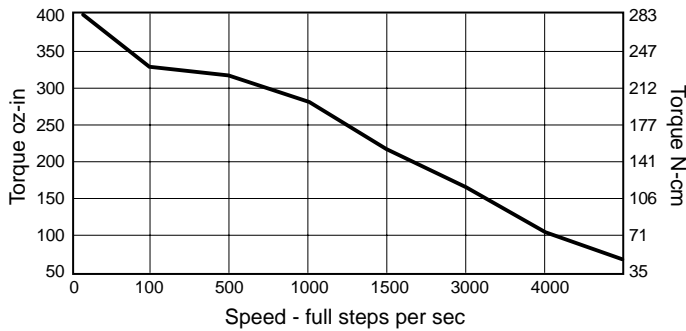
IOS Motor Systems

SIZE 42 1.8° HYBRID IOS STEPPING MOTOR

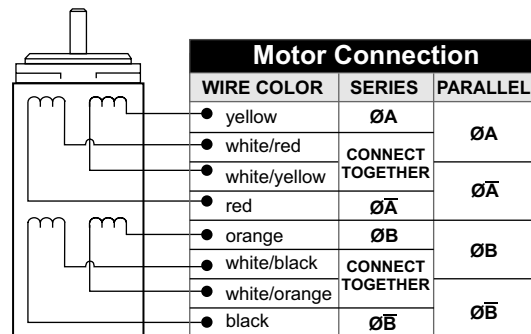
Specifications	Holding Torque oz-in (N-cm) Series	Phase Current Amps		Number of Leads	Phase Resistance Ohms		Phase Inductance mH		Detent Torque oz-in (N-cm)	Rotor Inertia oz-in-sec ² (kg-cm ²) Parallel	Length inches (cm)	Weight oz (gm)
		Series	Parallel		Series	Parallel	Series	Parallel				
M3-4247-IOS	375 (265.0)	4.5	9.0	8	0.6	0.15	6.0	1.5	25 (17.65)	0.244 (17.23)	3.96 (10.52)	112 (3175)

TORQUE SPEED CURVE

Parallel: 6 Amps RMS, 80 VDC

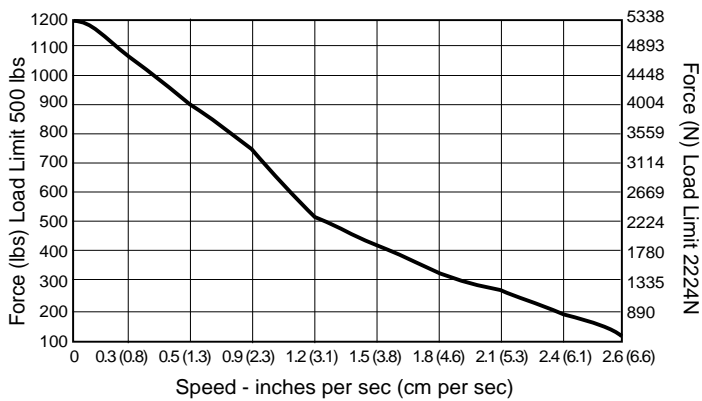


CONNECTION



FORCE SPEED CURVES

Series: 6 Amps RMS, 75 VDC, FBS1603 Ball Screw



OPTIONS

M3-4247-E(S) X* Motor w/Single Ended Encoder

M3-4247-E(D) X* Motor w/Differential Encoder

* Replace X with encoder line count.

Factory mounted only, no encoder kit available.

Ball Screw Options Contact Factory

MECHANICAL

Dimensions in Inches (mm)

