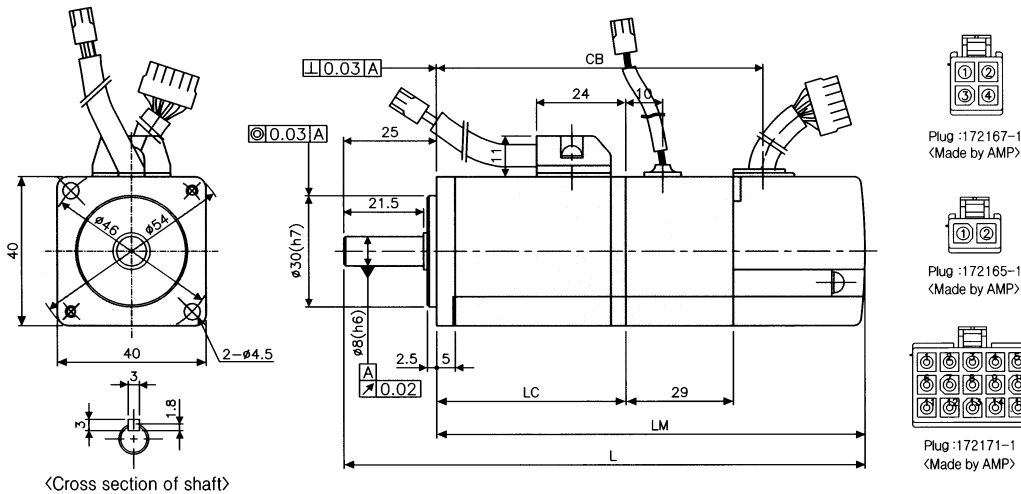


# BRUSHLESS SERVO MOTORS GMBM40 SERIES WITH BRAKE MECHANICAL DIMENSIONS

## GMBM40 SERIES WITH BRAKE



<Cross section of shaft>

### External Dimension

Model Number	L	LM	LC	Weight (kg)
GMBM40030-8	133.5	108.5	44	0.65
GMBM40050-11	140.5	115.5	51	0.75
GMBM40100-13	157.5	132.5	68	0.87

Pin #	Phase
1	T
2	S
3	R
4	Ground

(Motor Power Connector)

Pin #	Color	Phase
1	Red	+
2	White	-

(Brake Connector)

Pin#	Phase	Pin#	Phase
1	A+	9	HALL 2+
2	A-	10	HALL 2-
3	B+	11	HALL 1+
4	B-	12	HALL 1-
5	Z+	13	+5V
6	Z-	14	COMMON
7	HALL 3+	15	SHIELD
8	HALL 3-		

(Encoder Feedback Connector)