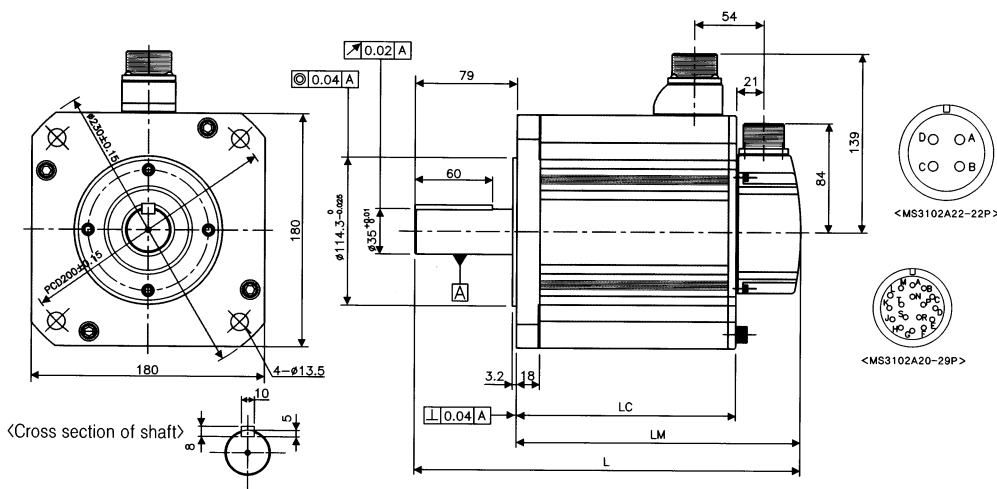


# BRUSHLESS SERVO MOTORS GMBM180 SERIES MECHANICAL DIMENSIONS

## GMBM180 SERIES



Pin #	Phase
A	T
B	S
C	R
D	Ground

(Motor Power Connector)

Pin#	Phase	Pin#	Phase
A	A+	M	HALL 2+
B	A-	N	HALL 2-
C	B+	P	HALL 1+
D	B-	R	HALL 1-
E	Z+	H	+5V
F	Z-	G	COMMON
K	HALL 3+	J	SHIELD
L	HALL 3-		

(Encoder Feedback Connector)

### External Dimension

Model Number	L	LM	LC	Weight (kg)
GMBM1803000-37, GMBM1802200-50	261.8	182.8	132.8	12.4
GMBM1801800-80, GMBM1801200-79				
GMBM1805000-36, GMBM1803500-56	294.8	215.8	165.8	17.7
GMBM1802900-56, GMBM1802000-81				
GMBM1805500-56, GMBM1804400-56	344.8	265.8	215.8	26.3
GMBM1803000-85				
GMBM1807500-66, GMBM1804400-84	404.8	325.8	275.8	35.6

Glentek, Inc.

208 Standard Street • El Segundo, California 90245 USA  
(310) 322-3026 • (310) 322-7709 Fax • www.glentek.com