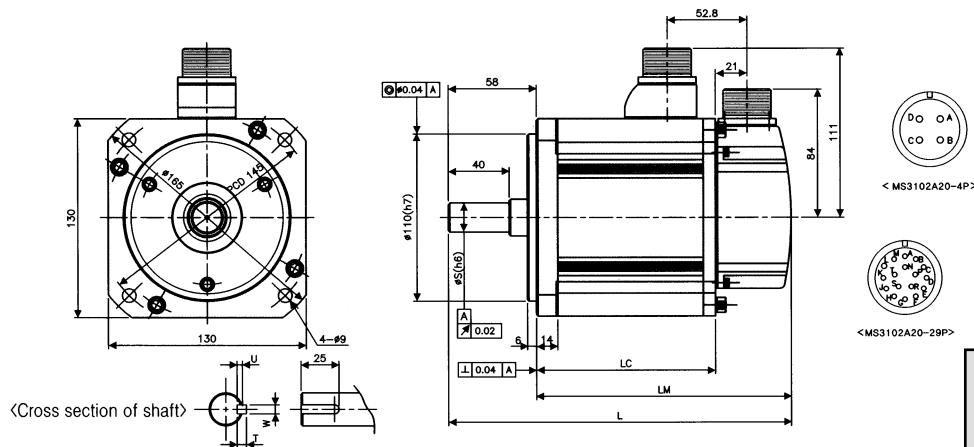


BRUSHLESS SERVO MOTORS GMBM130 SERIES MECHANICAL DIMENSIONS

GMBM130 SERIES



Pin #	Phase
A	T
B	S
C	R
D	Ground

(Motor Power Connector)

Pin#	Phase	Pin#	Phase
A	A+	M	HALL 2+
B	A-	N	HALL 2-
C	B+	P	HALL 1+
D	B-	R	HALL 1-
E	Z+	H	+5V
F	Z-	G	COMMON
K	HALL 3+	J	SHIELD
L	HALL 3-		

(Encoder Feedback Connector)

Model Number	External Dimension				Key Dimension			
	L	LM	LC	S	T	W	U	Weight (kg)
GMBM130900-35, GMBM130600-46	202	144	94	19	5	5	3	5.6
GMBM130450-46, GMBM130300-71								
GMBM1301500-39, GMBM1301100-53	226	168	118	19	5	5	3	7.2
GMBM130850-53, GMBM130600-86								
GMBM1302200-38, GMBM1301600-54	250	192	142	22	6	6	3.5	8.7
GMBM1301300-54, GMBM130900-95								
GMBM1303000-37, GMBM1302200-54	274	216	166	22	6	6	3.5	10.2
GMBM1301700-54, GMBM1301200-94								

Glentek, Inc.

208 Standard Street • El Segundo, California 90245 USA
(310) 322-3026 • (310) 322-7709 Fax • www.glentek.com