

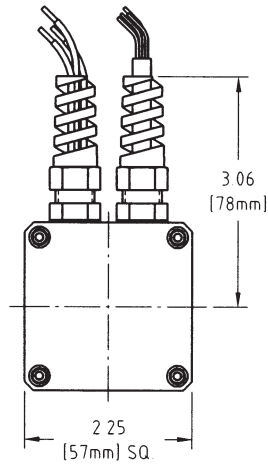
BRUSHLESS SERVO MOTORS

GMB2000 SERIES MECHANICAL DIMENSIONS

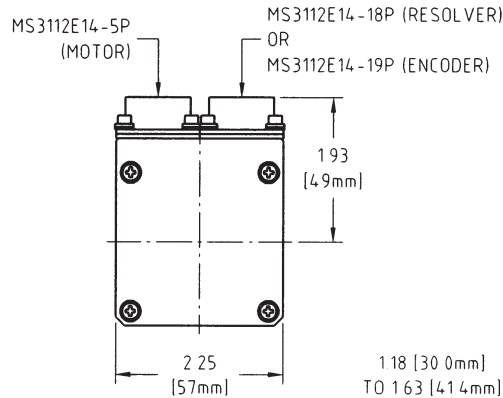
	DIM. "A" - INCH [mm]		DIM. "A" - INCH [mm]
GMB2005	2.29 [58.2mm]	GMB2015	3.23 [82.0mm]
GMB2010	2.73 [69.3mm]	GMB2020	4.12 [104.6mm]

MECHANICAL NOTES:

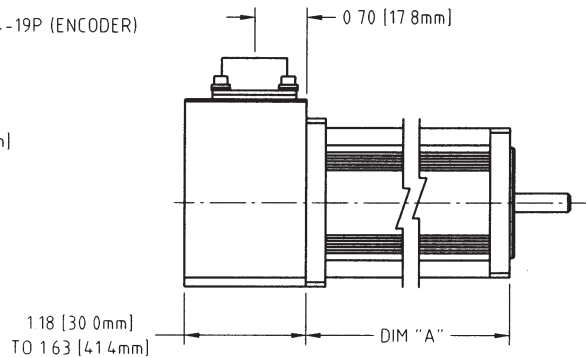
1. AXIAL LOAD: 15 LBS. [6.8 kg.] MAX.
2. RADIAL LOAD: 20 LBS. [9 kg.] MAX.
@ .5" [12.5mm] FROM FACE.
3. BRAKE MOTOR= DIM. "A" + 1.37" [35mm]



LIQUID TIGHT STRAIN RELIEF
WITH FLYING LEADS



MS CONNECTORS



ENGLISH MOTOR	METRIC MOTOR

NEMA 23 MOTOR

Glentek, Inc.

208 Standard Street • El Segundo, California 90245 USA
(310) 322-3026 • (310) 322-7709 Fax • www.glentek.com