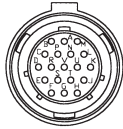
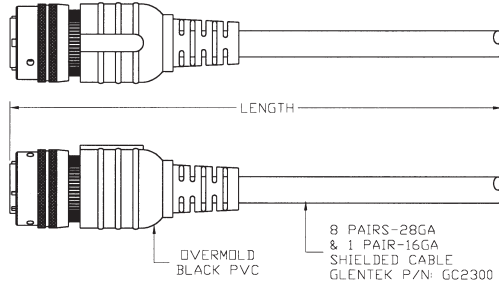


ENCODER FEEDBACK CABLE STYLES



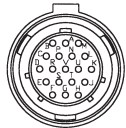
FACE VIEW OF MALE PLUG MS3116F14-19S (SCALE 1.5X)



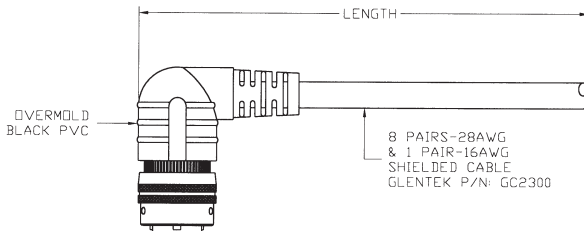
WIRING CHART:

	GRAY 16GA	GRAY	
D	WHITE/GRAY 16GA	WHITE/GRAY	ENC +5V
E			ENC COM
F	WHITE/BLUE	WHITE/BLUE	ENC A+
G	BLUE	BLUE	ENC A-
H	WHITE/BLACK	WHITE/BLACK	ENC B+
J	BLACK	BLACK	ENC B-
K	WHITE/VIOLET	WHITE/VIOLET	ENC Z+
L	VIOLET	VIOLET	ENC Z-
M	WHITE/RED	WHITE/RED	COM U+
N	RED	RED	COM U-
P	WHITE/GREEN	WHITE/GREEN	COM V+
R	GREEN	GREEN	COM V-
S	WHITE/YELLOW	WHITE/YELLOW	COM W+
T	YELLOW	YELLOW	COM W-
A	WHITE/ORANGE	WHITE/ORANGE	TEMP SW IN
B	ORANGE	ORANGE	TEMP SW COM
U	WHITE/BROWN	WHITE/BROWN	BRAKE +
V	BROWN	BROWN	BRAKE -
C	O/A DRAIN		

GC2300-AH ΔΔΔ AA-000 Encoder Feedback Cable with 19 Pin Straight Female MS Connector to Blunt Cut



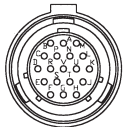
FACE VIEW OF MALE PLUG KPT08F14-19S (SCALE 1.5X)



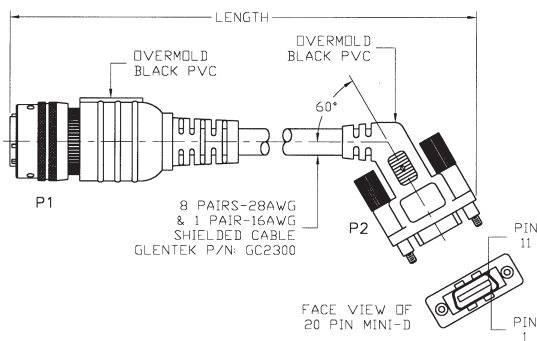
WIRING CHART:

	GRAY 16GA	GRAY	
D	WHITE/GRAY 16GA	WHITE/GRAY	ENC +5V
E			ENC COM
F	WHITE/BLUE	WHITE/BLUE	ENC A+
G	BLUE	BLUE	ENC A-
H	WHITE/BLACK	WHITE/BLACK	ENC B+
J	BLACK	BLACK	ENC B-
K	WHITE/VIOLET	WHITE/VIOLET	ENC Z+
L	VIOLET	VIOLET	ENC Z-
M	WHITE/RED	WHITE/RED	COM U+
N	RED	RED	COM U-
P	WHITE/GREEN	WHITE/GREEN	COM V+
R	GREEN	GREEN	COM V-
S	WHITE/YELLOW	WHITE/YELLOW	COM W+
T	YELLOW	YELLOW	COM W-
A	WHITE/ORANGE	WHITE/ORANGE	TEMP SW IN
B	ORANGE	ORANGE	TEMP SW COM
U	WHITE/BROWN	WHITE/BROWN	BRAKE +
V	BROWN	BROWN	BRAKE -
C	O/A DRAIN		

GC2300-AI ΔΔΔ AA-000 Encoder Feedback Cable with 19 Pin 90° Female MS Connector to Blunt Cut



FACE VIEW OF MALE PLUG MS3116F14-19S (SCALE 1.5X)



WIRING CHART:

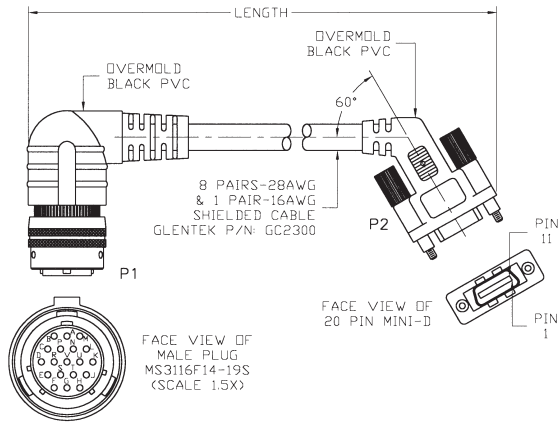
P1		16GA	GRAY	P2
D	GRAY		GRAY	1
E	WHITE/GRAY	16GA	WHITE/GRAY	3
F	WHITE/BLUE		WHITE/BLUE 28GA	2
G	BLUE		BLUE 28GA	4
H	WHITE/BLACK		WHITE/BLACK 28GA	5
J	BLACK		BLACK 28GA	6
K	WHITE/VIOLET		WHITE/VIOLET 28GA	7
L	VIOLET		VIOLET 28GA	8
M	WHITE/RED		WHITE/RED 28GA	9
N	RED		RED 28GA	10
P	WHITE/GREEN		WHITE/GREEN 28GA	11
R	GREEN		GREEN 28GA	12
S	WHITE/YELLOW		WHITE/YELLOW 28GA	13
T	YELLOW		YELLOW 28GA	14
A	WHITE/ORANGE		WHITE/ORANGE 28GA	15
B	ORANGE		ORANGE 28GA	16
U	WHITE/BROWN			17
V	BROWN			18
C	O/A DRAIN			19
				20

GC2300-AJ ΔΔΔ AJ-000 Encoder Feedback Cable with 19 Pin Straight Female MS Connector to 20 Pin Mini-D Connector

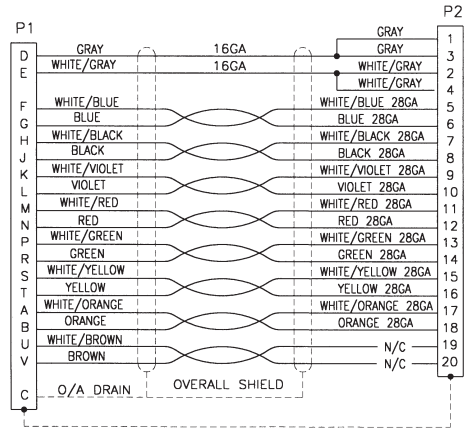
Glentek, Inc.

208 Standard Street • El Segundo, California 90245 USA
 (310) 322-3026 • (310) 322-7709 Fax • www.glentek.com

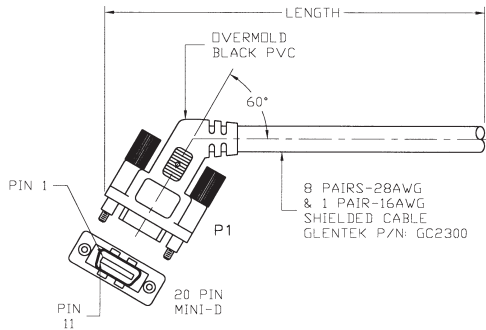
ENCODER FEEDBACK CABLE STYLES



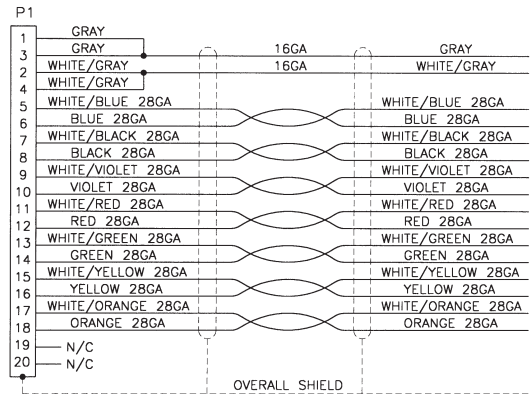
WIRING CHART:



GC2300-AI ΔΔΔ AJ-000 Encoder Feedback Cable with 19 Pin 90° Female MS Connector to 20 Pin Mini-D Connector



WIRING CHART:



GC2300-AA ΔΔΔ AJ-000 Encoder Feedback Cable with Blunt Cut to 20 Pin Mini-D Connector

Glentek, Inc.

208 Standard Street • El Segundo, California 90245 USA
 (310) 322-3026 • (310) 322-7709 Fax • www.glentek.com